

Bag Filters

bag filter system is a new filter system. It is character with high precision, big flow, easy installation and maintenance. So it can be widely used in the field of liquid treatment: foods, cosmetic, chemistry, medicine, textile, etc. It consists of the housing, support basket, and the filter bag.



It has achieved 0-0.6 MPa 100,000 times recycle fatigue test successfully.

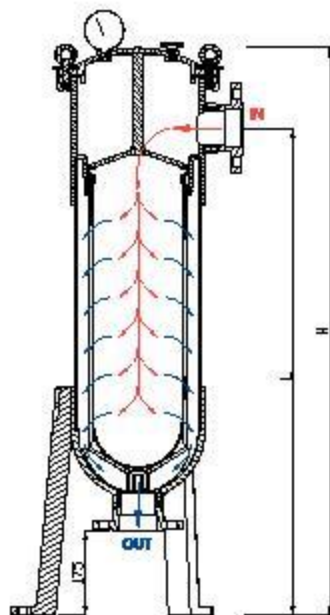
type	Size	Bag size	In/Out	T.	Max pressure
1-1-A	Ø225-H785	Ø7"(178mm)-H17"(419mm)	DN50/ANSI2"	630	A=0.4MPa
1-2-A	Ø225-H1180	Ø7"(178mm)-H17"(813mm)		1050	
1-1-B	Ø225-H820	Ø7"(178mm)-H17"(419mm)		665	B=0.7MPa
1-2-B	Ø225-H1200	Ø7"(178mm)-H17"(813mm)		1045	

It can install all material, all precision's filter bag IP68.

The highest of working temperature is 45°C, The size of the two holes in the lid of the filter is 61/4"

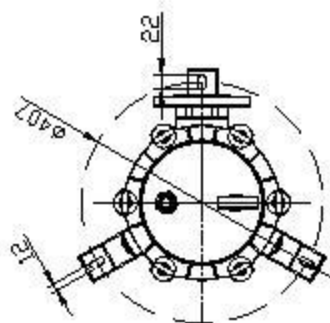
Operate Element:

The liquid which will be purged should be poured into the bag filter from the inlet, then the liquid flow from the inner surface of the bag to the outer surface. At last, it will be come into the appointed tank. On reverse, the impurity will be held up in the bag. The filter can be recycled when changed another new bag.

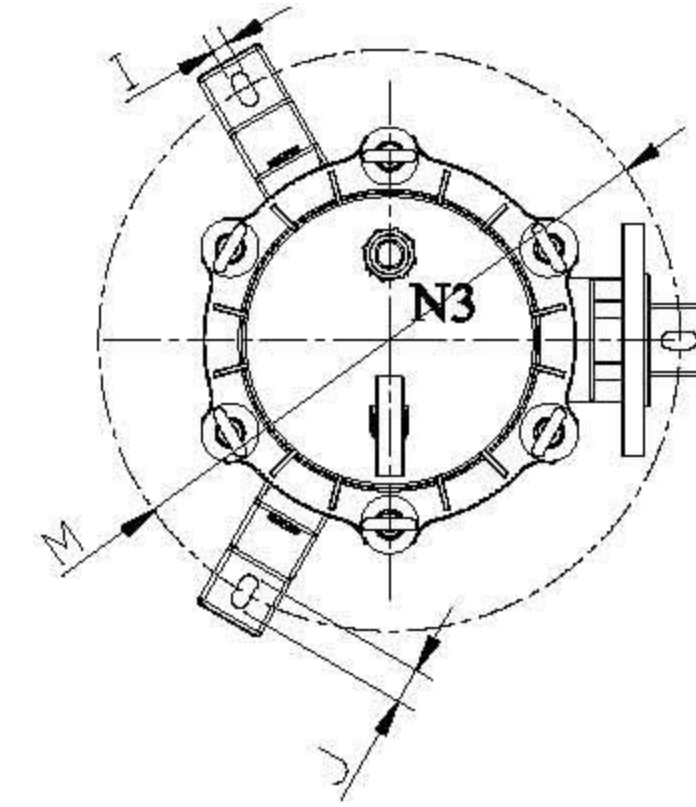
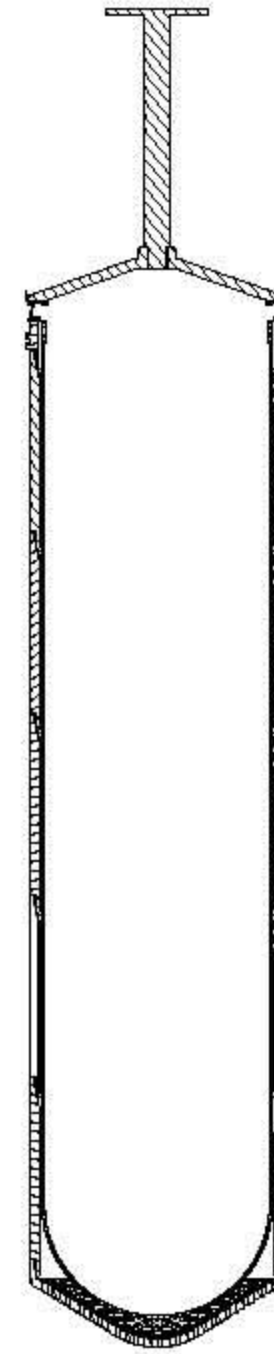
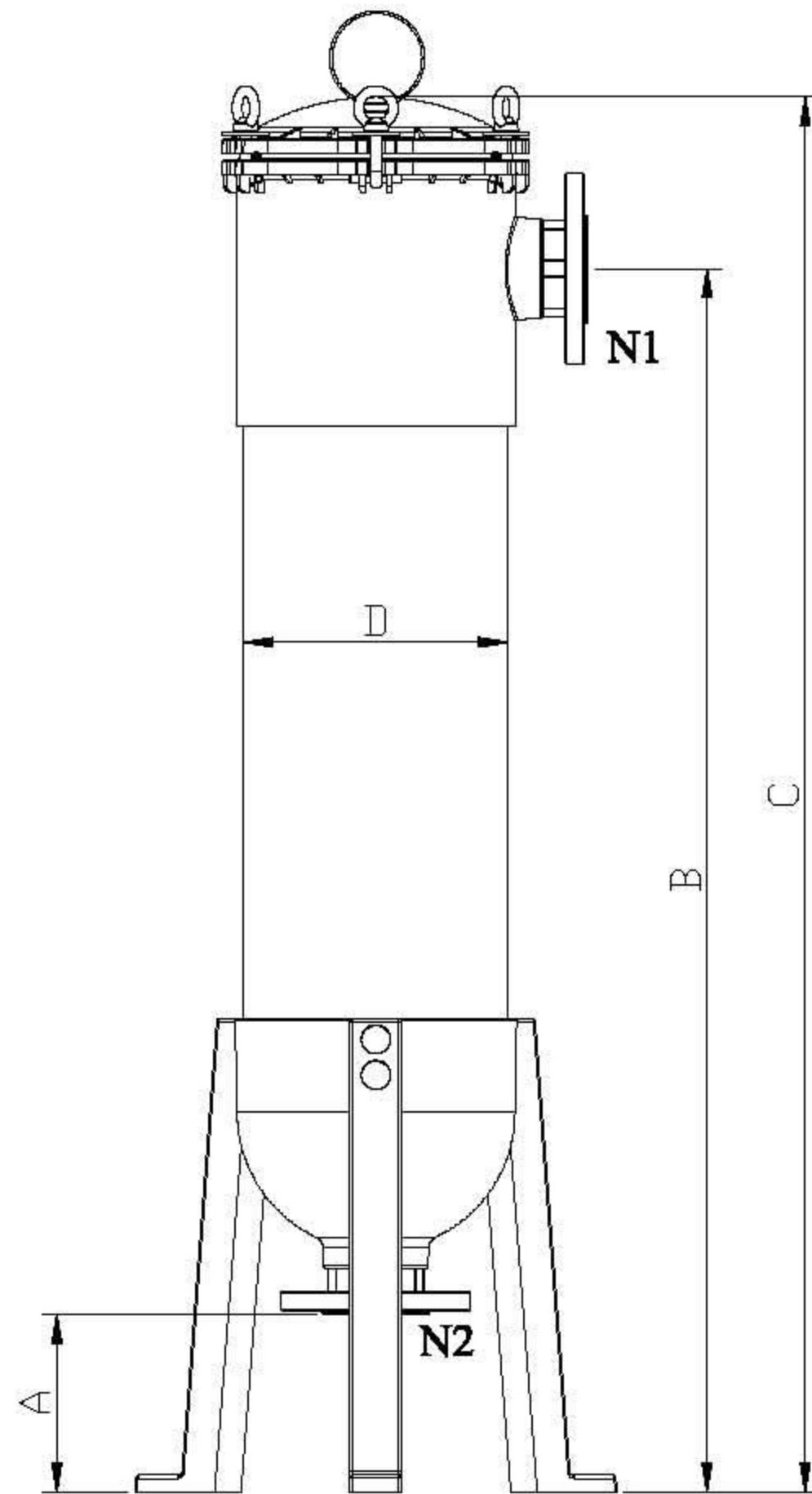


Flow Diagram

- ①UPVC material has good corrosion resistant.
 - ②The unique seal system makes the filter more safety.
 - ③It can prevent the bag plunged into the support basket, no inner leak.
 - ④Good appearance and compact inner construct.
 - ⑤High precision, the filter range can be from 0.5~200um.
 - ⑥High efficiency of filter: quick flow of liquid, big capacity of impurity
- The price is more competitive.



Pedestal Location



Operating T(MAX)	Operating P(MAX)
45° C	100PSI

- Note:
 1. Unit: mm
 2. The value of flow is depend on type of filter bag and Water Quality

Type	A	B	C	Ø D	I	J	M	N1 N2	N3	Filter bag size
	175	1065	1210	225	12	22	Ø407	DIN2"/ANSI2"FLG	G1/4"	7"x32"(1.5m ²)

APPR.	COMF.	DESIGN	DWG.	
				SCALE
NAME				
DWG NO.				





